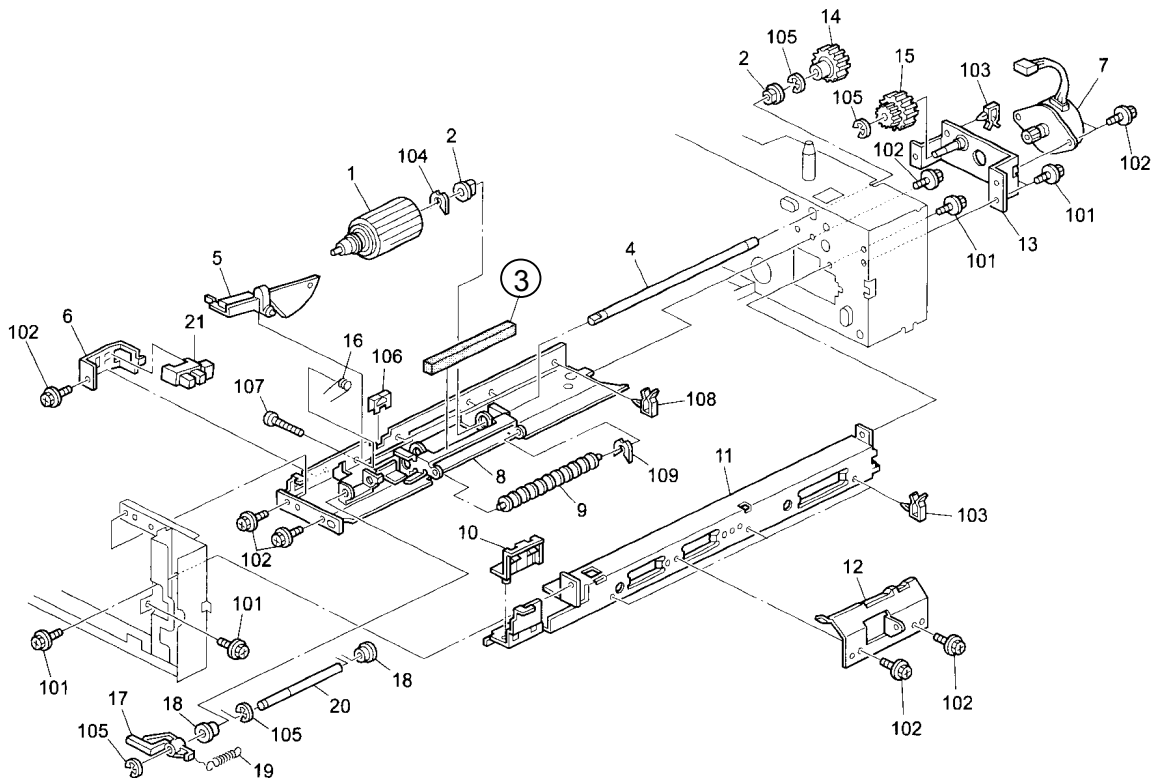


Model: Kir-C Paper Tray Unit / 1-tray (PS460)		Date: 22-Oct-01	No.: MB385001
Modified Article: Guide Plate Cushion		Prepared by: K. Miura	
From: Technical Services Dept., GTS Division			
Reason for Modification:	<input type="checkbox"/> Parts catalog correction	<input type="checkbox"/> Vendor change	<input type="checkbox"/> To meet standards ()
	<input type="checkbox"/> To facilitate assembly	<input checked="" type="checkbox"/> To improve reliability	
	<input type="checkbox"/> Part standardization	<input type="checkbox"/> Other	

The following part has been changed to ensure that noise does not occur during paper feed.

Old part number	New part number	Description	Q'ty	Int	Page	Index	Note
A8602559	B3852559	Cushion Guide Plate	1	O/O	7	3	



Model: Kir-C Paper Tray Unit/1-tray (PS460)	Date: 27-Dec-02	No.: MB385002
---	-----------------	---------------

Modified Article: Interface Board		Prepared by: K. Miura	
From: Technical Services Sec. Service Planning Dept.			
Reason for Modification:	<input type="checkbox"/> Parts catalog correction	<input type="checkbox"/> Vendor change	<input type="checkbox"/> To meet standards ()
	<input type="checkbox"/> To facilitate assembly	<input type="checkbox"/> To improve reliability	
	<input checked="" type="checkbox"/> Part standardization	<input type="checkbox"/> Other	

The following part has been changed due to parts standardization with future models.

Old part number	New part number	Description	Q'ty	Int	Page	Index	Note
A8615110	B3855110	Interface Board	1	O/O	9	29	

